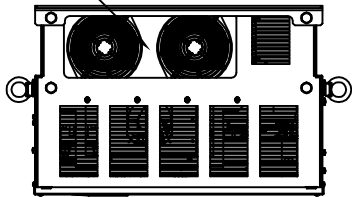
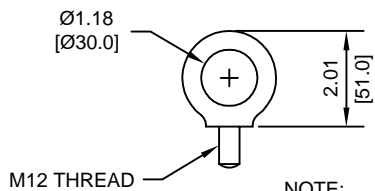


(2) EXTERNAL COOLING FANS

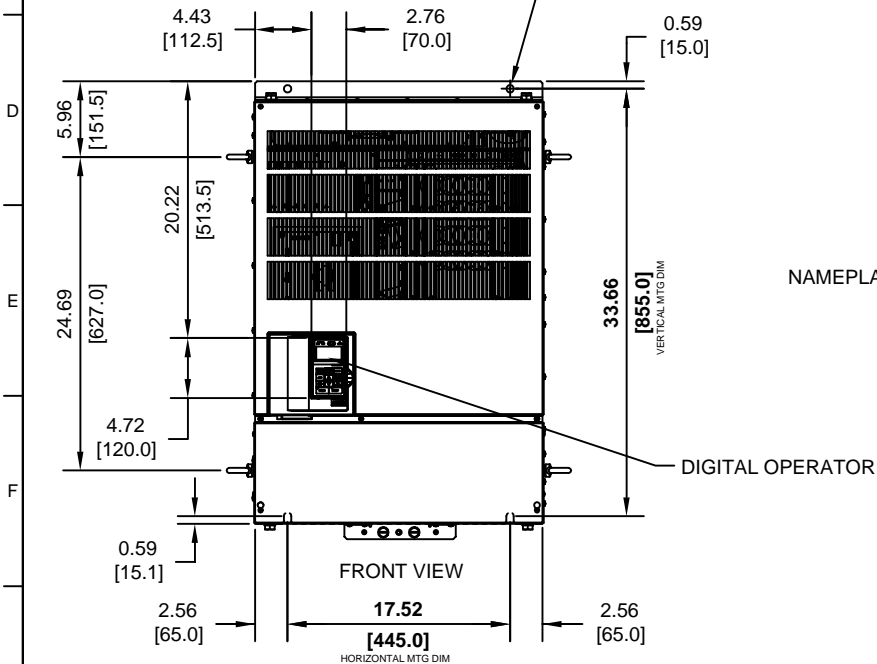


LIFTING AND EYEBOLT DETAILS

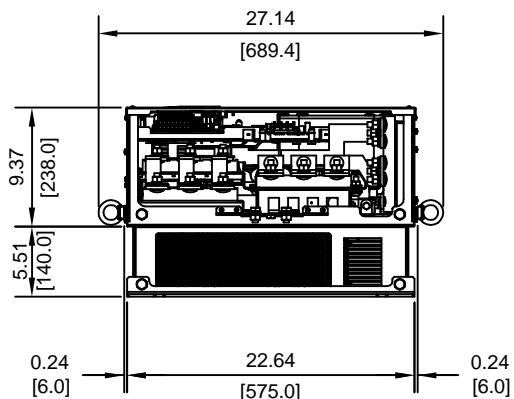
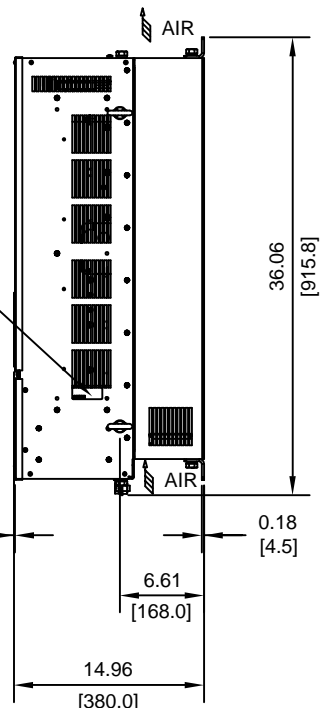


NOTE:
SPREADER BAR REQUIRED TO
AVOID DAMAGE DURING LIFTING

(4)-MOUNTING HOLES FOR 1/2" [M12] SCREWS



NAMEPLATE



MODEL #	VOLTAGE (VAC)	OUTPUT CURRENT (A)	WEIGHT LBS (Kg)	HEAT LOSS (W)		
				INT	EXT	TOTAL
CIMR-P7U	480	304	352 (160)	1144	2791	3935

INT=INTERNAL COMPONENTS
EXT=EXTERNAL HEATSINK

FOR ADDITIONAL DETAILS AND SPECIFICATIONS, CONSULT MANUAL

TOLERANCES/REFERENCES:

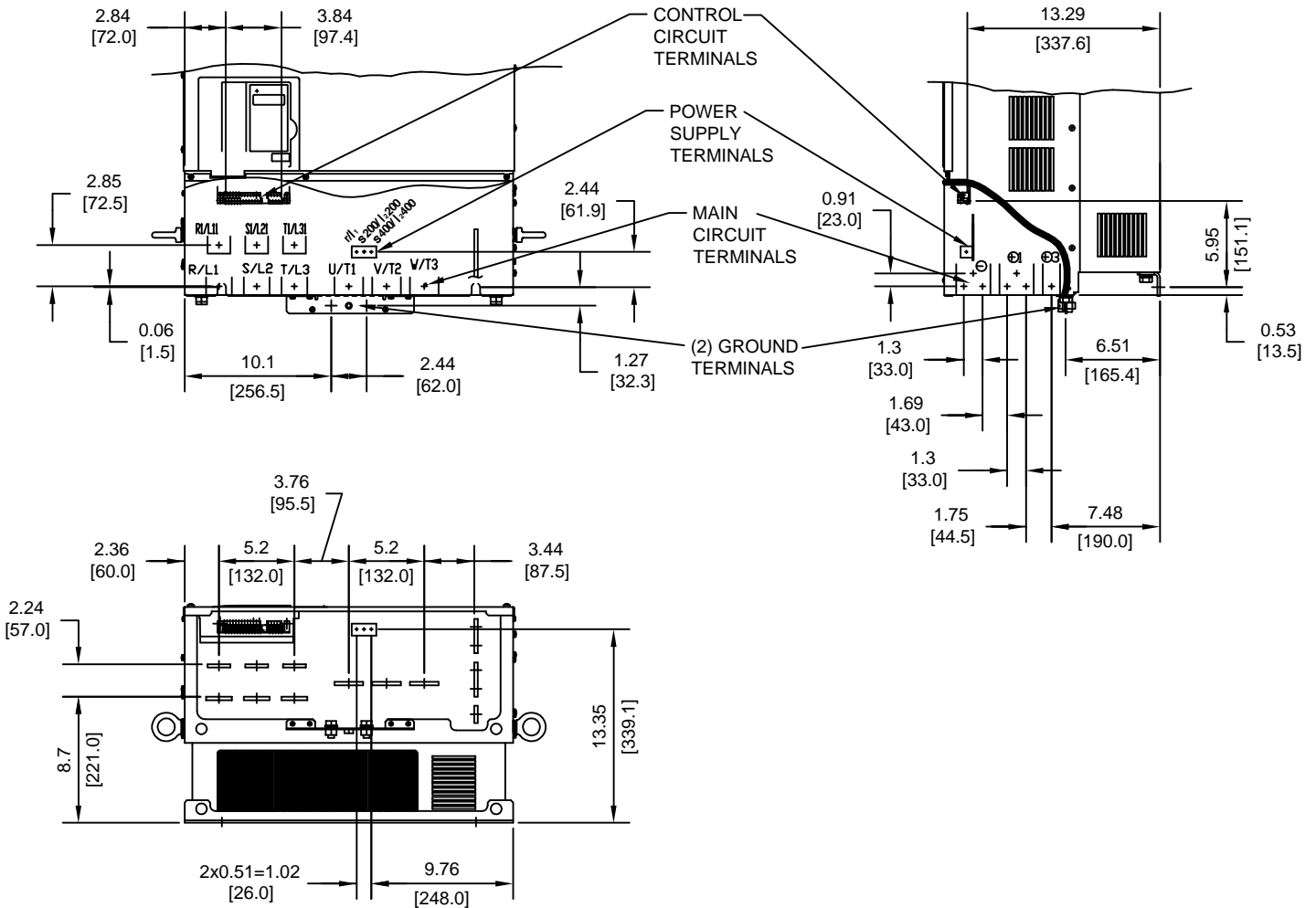
UNITS: IN[mm] SCALE: 1:15

YASKAWA
A World of Automation Solutions™

YASKAWA ELECTRIC AMERICA, INC.
Corporate Headquarters
2121 Norman Drive South
Waukegan, IL 60085
1-800-YASKAWA
<http://www.yaskawa.com>

DRAWN: J. MATTAS	DATE 5-2-05	TITLE: P7 DIMENSION DRAWING		
CHECKED: M. RUCINSKI	DATE 6-5-05	FRAME SIZE 13		
TECH: J. CAIRO	DATE 5-4-05	IP00 ENCLOSURE		
APPROVED: T. SASADA	DATE 6-8-05	SIZE A	REVISION R01	PAGE 1 of 3
ORIGINAL DESIGN: -	DATE -	DRAWING #: DD.P7.FR13.IP00.01		

TERMINAL AND WIRING DETAILS (SCALE 1:12)




TERMINAL SPECIFICATIONS FOR
MAIN CIRCUIT AND GROUND

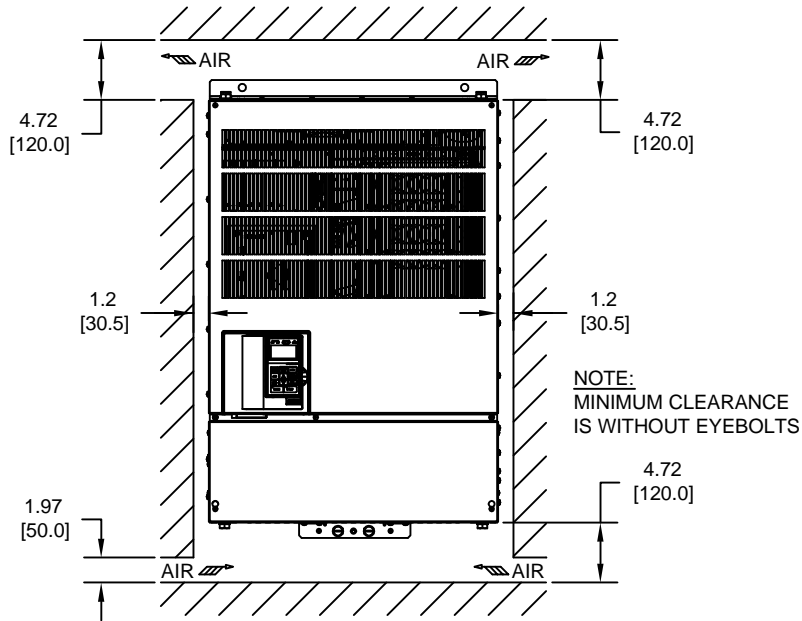
MODEL #	TERMINAL SYMBOL	TERMINAL SCREW	CLAMPING TORQUE lb.in.(N.m.)
4160	R/L1, S/L2, T/L3, ⊕, ⊕1, ⊕2 U/T1, V/T2, W/T3, R1/L11, S1/L21, T1/L31	M12	276 TO 345 (31.4 TO 39.2)
	⊕3	M8	78.0 TO 95.0 (8.8 TO 10.8)
	r#1, s200#2200, s400#2400	M4	11.4 TO 12.3 (1.3 TO 1.4)

NOTE: REFER TO APPLICABLE CODES FOR PROPER WIRE TYPE AND SIZE

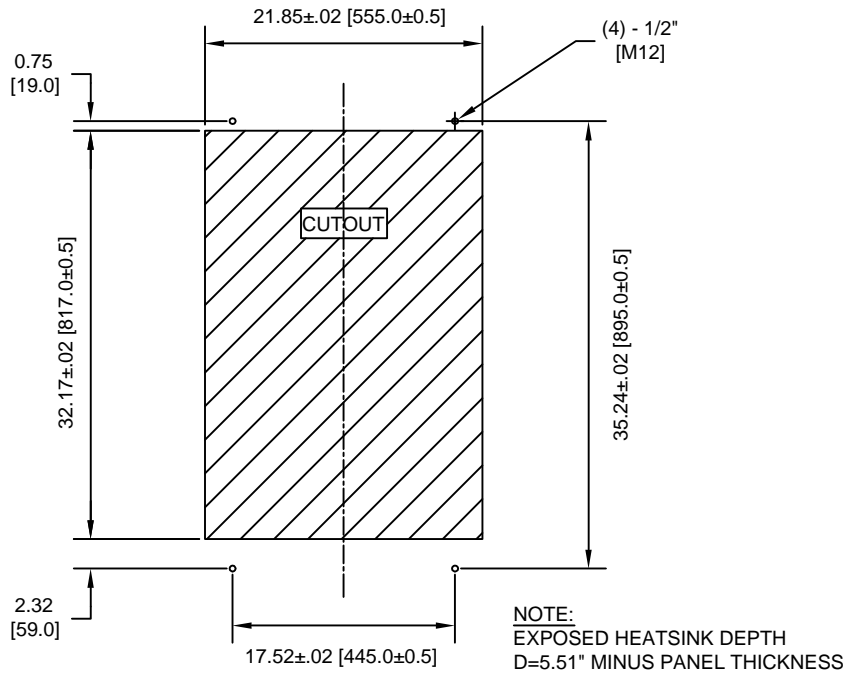
FOR ADDITIONAL DETAILS AND SPECIFICATIONS, CONSULT MANUAL

TOLERANCES/REFERENCES: -		 <p>YASKAWA A World of Automation Solutions™</p>	DRAWN: J. MATTAS	DATE 5-2-05	TITLE: P7 DIMENSION DRAWING		
			CHECKED: M. RUCINSKI	DATE 6-5-05	FRAME SIZE 13 IP00 ENCLOSURE P7U4160		
UNITS: IN[mm]		YASKAWA ELECTRIC AMERICA, INC. Corporate Headquarters 2121 Norman Drive South Waukegan, IL 60085 1-800-YASKAWA http://www.yaskawa.com	TECH: J. CAIRO	DATE 5-4-05	SIZE A	REVISION R01	PAGE 2 of 3
			APPROVED: T. SASADA	DATE 6-8-05	DRAWING #: DD.P7.FR13.IP00.01		
SCALE: BY VIEW			ORIGINAL DESIGN: -	DATE -			


MINIMUM INSTALLATION CLEARANCES (SCALE 1:15)



PANEL CUTOUT FOR EXTERNAL HEATSINK MOUNTING CONFIGURATION (SCALE 1:15)



FOR ADDITIONAL DETAILS AND SPECIFICATIONS, CONSULT MANUAL

TOLERANCES/REFERENCES: - - - - - - - - - -		 YASKAWA <i>A World of Automation Solutions™</i> YASKAWA ELECTRIC AMERICA, INC. Corporate Headquarters 2121 Norman Drive South Waukegan, IL 60085 1-800-YASKAWA http://www.yaskawa.com	DRAWN: J. MATTAS	DATE: 5-2-05	TITLE: P7 DIMENSION DRAWING		
UNITS: IN[mm]	SCALE: BY VIEW		CHECKED: M. RUCINSKI	DATE: 6-5-05	FRAME SIZE 13 IP00 ENCLOSURE P7U4160		
		TECH: J. CAIRO	DATE: 5-4-05	SIZE: A	REVISION: R01	PAGE: 3 of 3	
		APPROVED: T. SASADA	DATE: 6-8-05	DRAWING #: DD.P7.FR13.IP00.01			
		ORIGINAL DESIGN: -	DATE: -				